

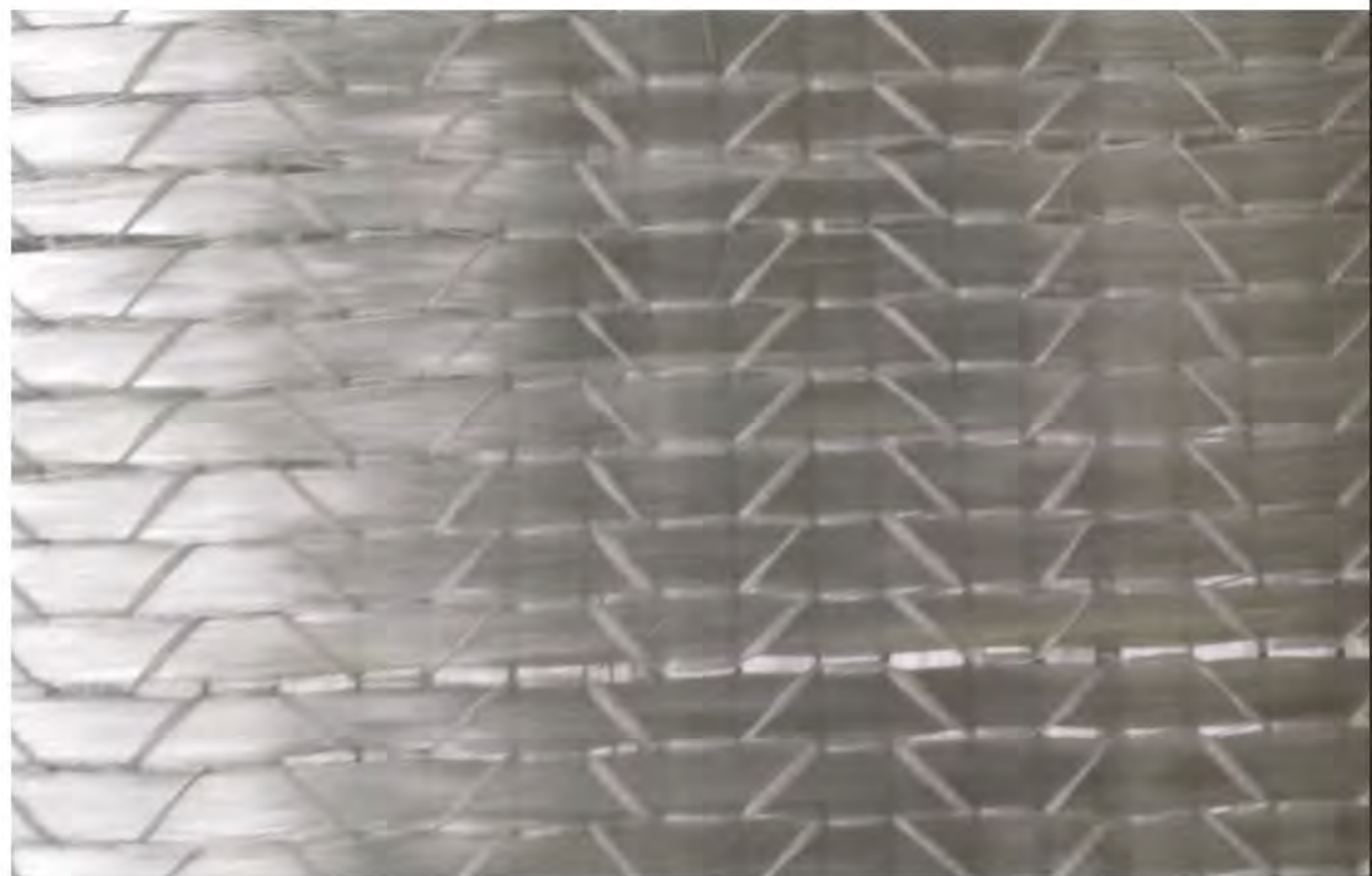
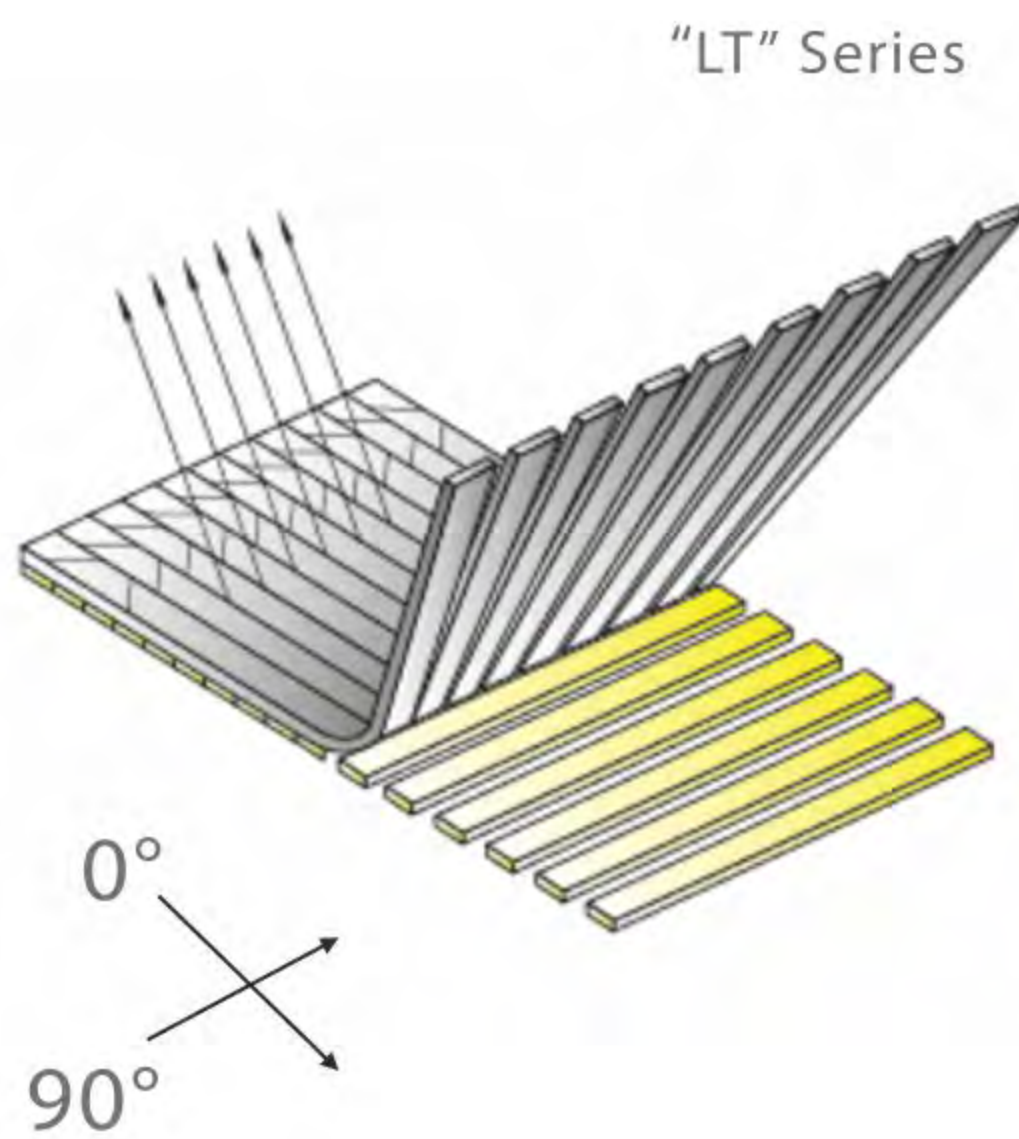
# 6

# Bi-axial Fabric Series

## E-LT Biaxial Series

The 0° layer and 90° layer of this product is arranged vertically with 300g/m<sup>2</sup> ~ 1200 g/m<sup>2</sup> , and chop mat with 50 ~ 500g/m<sup>2</sup> can be stitched under the layers. The maximum width is around 130 inches.

The main usages are yachts, pipelines and chemical containers.



### Product Specification

Main Products	Overall Density (g/m <sup>2</sup> )	0° layer (g/m <sup>2</sup> )	90° layer (g/m <sup>2</sup> )	Chopped Strand (g/m <sup>2</sup> )	Polyester Yarn Density(g/m <sup>2</sup> )
E-LTC1800	629.43	150.33	307.09	/	18.36
E-LTC2400	823.21	400.88	401.57	/	19.28
E-LTMC1608	845.01	601.31	248.03	274.64	18.36
E-LTMC3610	1541.43	302.84	607.68	305.15	20.65



\*does not apply to all styles.