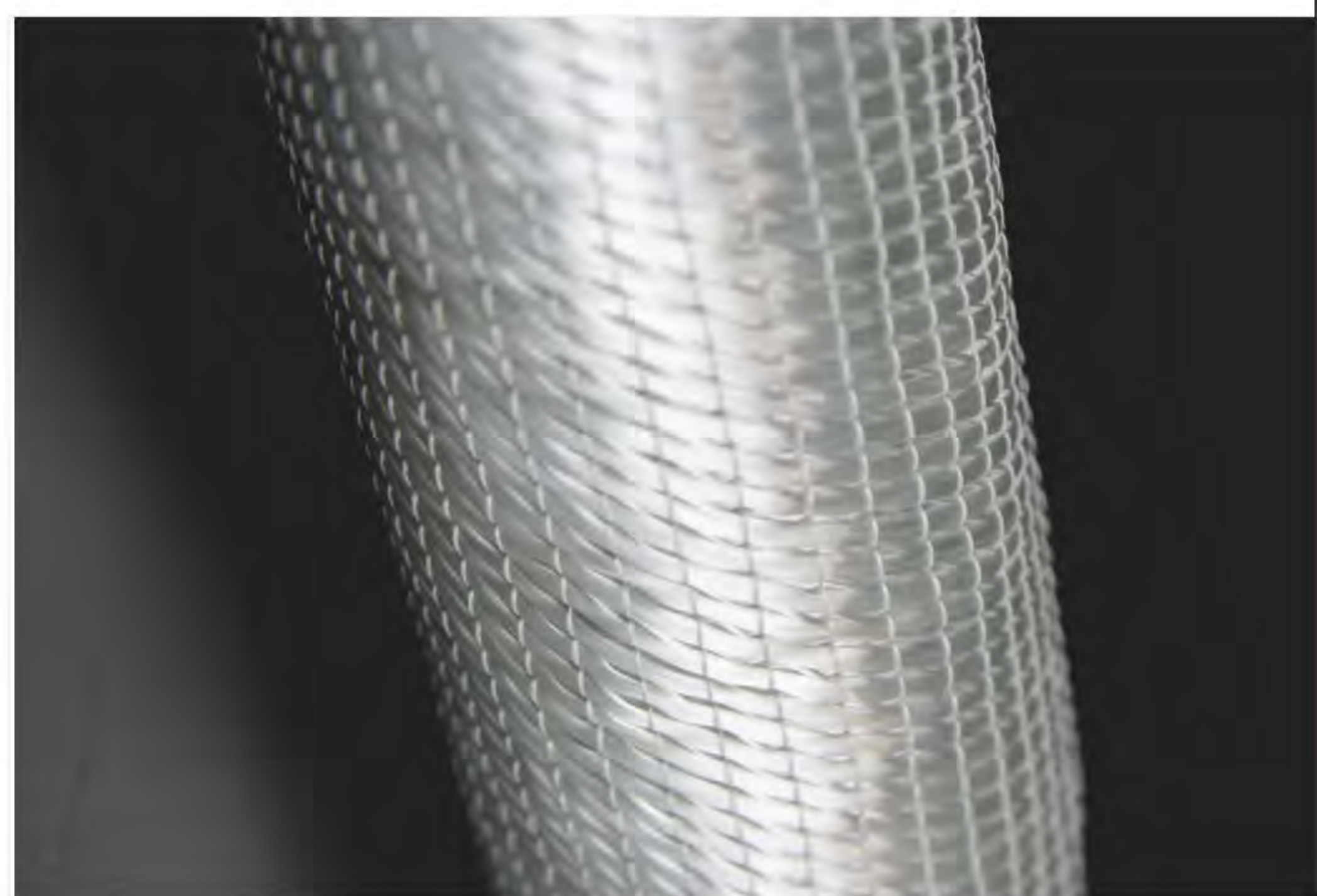
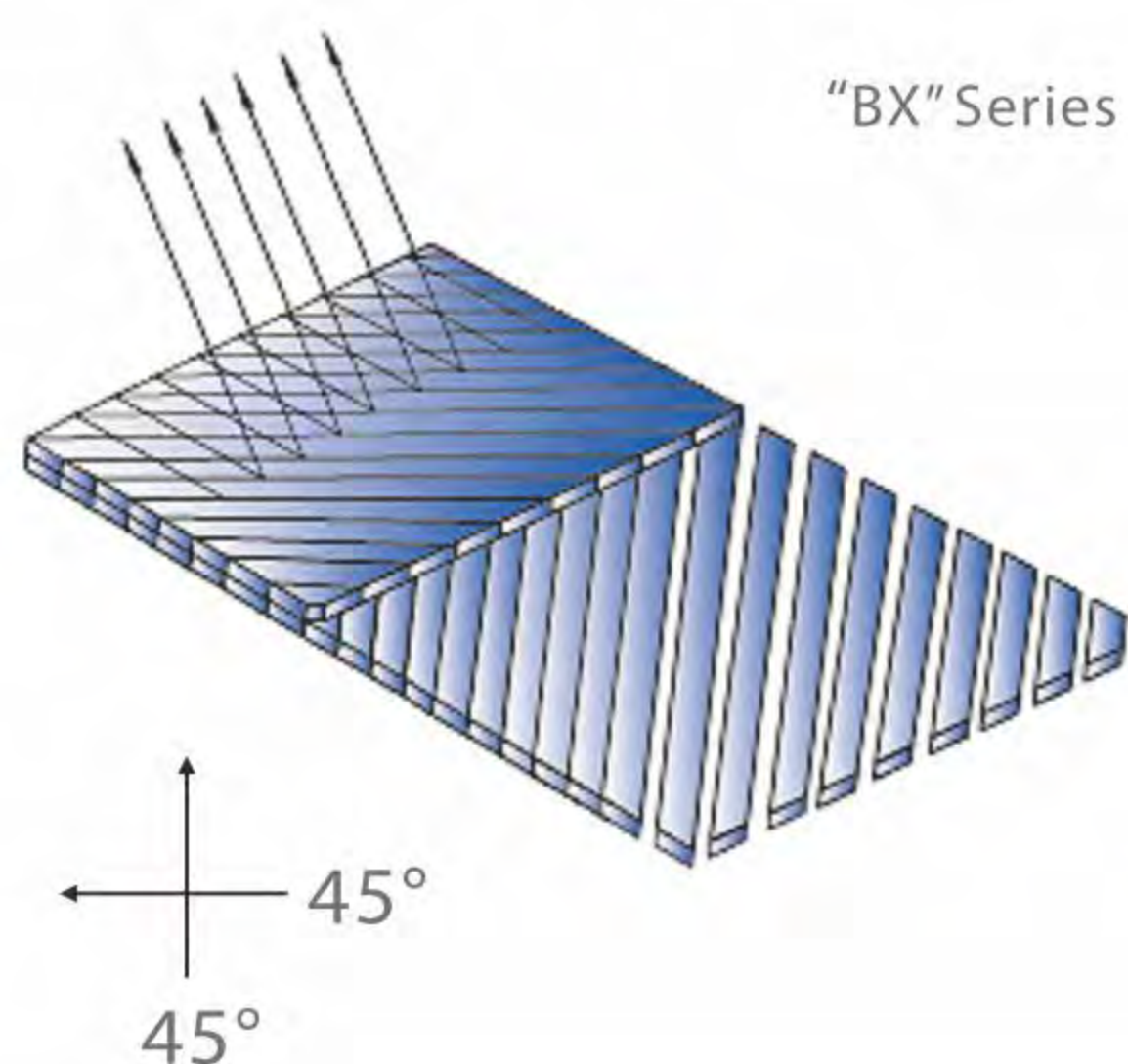


# 5 Bi-axial Fabric Series

## E-BX/BXM Biaxial Series

The general direction of this product series are  $\pm 45^\circ$ , also the directions can be randomly changed from  $\pm 30^\circ$  to  $\pm 80^\circ$ . The normal fabric weight is  $300\text{g/m}^2 \sim 1200\text{g/m}^2$ , and chopped strand mat with  $50 \sim 500\text{g/m}^2$  or non-woven fabric can be stitched under the layers. The maximum width is up to 101 inches. Alternatively, it can be made by two-step producing method.



### Product Specification

Main Products	Overall Density (g/m <sup>2</sup> )	+45° layer (g/m <sup>2</sup> )	-45° layer (g/m <sup>2</sup> )	Chopped Strand (g/m <sup>2</sup> )	Polyester Yarn Density(g/m <sup>2</sup> )
E-BX300	306.01	150.33	150.33	/	5.35
E-BX800	812.08	400.88	400.88	/	6.5
E-BX1200	1213.44	601.31	601.31	/	7
E-BXM600/225	842.92	302.84	302.84	225	12.24



\*does not apply to all styles.