

180K Assembled Roving for Spray-up is coated with a silane-based sizing, compatible with unsaturated polyester, vinyl ester and polyurethane resins.

180K has been designed to provide excellent performance for spray-up applications where fast wet out speed is preferred. Variety of applications including boats, yacht, sanitary ware, tank and automotive parts.

### Product Features

- Excellent choppability and dispersion
- Fast and complete wet-out ensures easy roll-out, no spring back
- Great surface quality
- Optimal resin consumption
- Excellent mechanical properties of composite parts

### Identification

Example	ER13-2400-180K
Type of Glass	E
Assembled Roving	R
Filament Diameter, $\mu\text{m}$	13
Linear Density, tex	2400
Size Code	180K



### Technical Parameters

Linear Density (%)	Moisture Content (%)	Size Content (%)	Stiffness (mm)
ISO 1889	ISO 3344	ISO 1887	ISO 3375
$\pm 5$	$\leq 0.10$	$1.00 \pm 0.15$	$135 \pm 20$

### Packaging

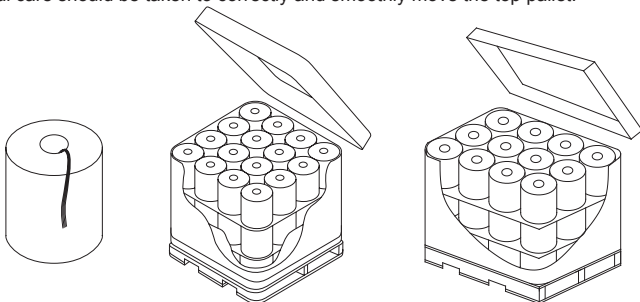
\* The product can be packed on pallet or in small cardboard boxes.

Package height mm (in)	260 (10)	260 (10)
Package inside diameter mm (in)	100 (4)	100 (4)
Package outside diameter mm (in)	275 (10.8)	310 (12.2)
Package weight kg (lb)	17.5 (38.6)	23 (50.7)

### Storage

Unless otherwise specified, the fiberglass products should be stored in a dry, cool and moisture-proof area. The room temperature and humidity should be always maintained at  $15^{\circ}\text{C} \sim 35^{\circ}\text{C}$  and 35%~65%. It is best if the product is used within 12 months after production date. The fiberglass products should remain in their original packaging until just prior to user.

To ensure safety and avoid damage to the product, the pallets should not be stacked more than three layers high. When the pallets are stacked in 2 or 3 layers, special care should be taken to correctly and smoothly move the top pallet.



Number of layers	3	4	3	4
Number of doffs per layer	16		12	
Number of doffs per pallet	48	64	36	48
Net weight per pallet kg (in)	840(1851.9)	1120 (2469.2)	828 (1825.4)	1104 (2433.9)

Pallet length mm (in)	1120 (44)		1270 (50)	
Pallet width mm (in)	1120 (44)		960 (37.8)	
Pallet height mm (in)	940 (37)	1180 (46.5)	940 (37)	1180 (46.5)